



TAMEO KITS



TMK 396

**FERRARI 150° ITALIA
G.P. MONACO 2011**

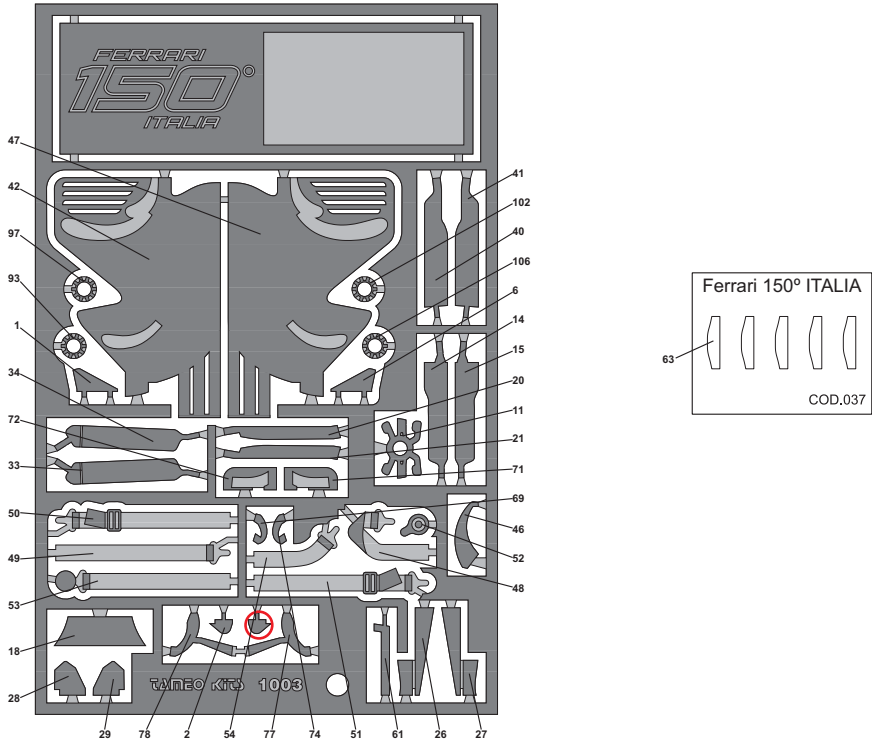
www.tameokits.com



Colour conversion - Conversione colori - Farbenumwandlung Conversion de couleurs - Colores convensionados

BARE-METAL SILVER METALLO ARGENTATO IN LUCO BAREMETAL SILBER ARGENT METALLINJ PLAINMETAL DESLUCADO TAMIYA AS12	SILVER ARGENTO SILBER ARGENT PLATA TAMIYA X11	CLEAR RED ROSSO SEMI TRASPARENTE HELLROT ROUGE CLAIR ROJO CLARO TAMIYA X27	BRIGHT MCAR RED ROSSO VIVO METALLIZZATO HELLES MCAR ROT ROUGE MCA VIF ROJO VIVO MCA TAMIYA TS85	PEARL CLEAR TRASPARENTE PERLATO KLARLACK PERLEFFECT TRANSPARENT PERLE TRANSPARENTE PERLADO TAMIYA TS65	METALLIC SILVER ARGENTO METALLIZZATO METALLISIRT SILBER ARGENT METALISE PLATA METALIZADA TAMIYA TS83	CLEAR BLUE BLU SEMI TRASPARENTE HELLBLAU BLEU CLAIR TAMIYA X23	WHITE BIANCO WEISS BLANC BLANCO TAMIYA TS26	MATT BLACK NERO OPACO MATTSCHWARZ NOIRE OPAQUE NEGRO OPACO TAMIYA TS6
---	--	---	--	---	---	--	--	--

Photoetcheds - Fotoincisioni - Fotogeaezt Photogravures - Fotograbado



○ Spare parts
 Pezzi di ricambio
 Pièces de rechange
 Ersatzteile
 Piezas de repuesto



TAMEO KITS srl

Via Valle, 111 - P.O. Box 61
17022 BORGIO VEREZZI SV ITALY
Tel. 39 019 - 615.250 Fax. 39 019 - 615.310

website www.tameokits.com
e-mail sales@tameokits.com
e-mail technical@tameokits.com

Ferrari

OFFICIAL LICENSED PRODUCT

Produced under license of Ferrari SpA.
FERRARI, the PRANCING HORSE device, all associated logos and distinctive designs are property of Ferrari SpA.
The body designs of the Ferrari cars are protected as Ferrari property under design, trademark and trade dress regulations

Made in Italy. Modello per collezionisti in scala 1/43. Vietata la vendita ai minori di 14 anni. Nocivo per ingestione. Conservare fuori dalla portata dei bambini. Tameo Kits declina ogni responsabilità per un uso improprio del prodotto.

Made in Italy. Collector 1/43 Scale Models. Not for sale to persons under 14 years of age. Dangerous if swallowed. Keep out of reach of children. Tameo Kits not held responsible for any damage or injury resulting from improper use of the product.

Made in Italy. Modèle pour collectionneurs échelle 1/43. Vente interdite aux enfants de moins de 14 ans. Dangereux si avalé. Conserver hors de la portée des enfants. Tameo Kits decline toute responsabilité dans le cas de dommages dérivants de l'usage non approprié du produit.

Made in Italy. Sammlermodell im Massstab 1/43. Verkauf an Jugendlichen unter 14 Jahren verboten. Schädlich bei Verschlucken. Tameo Kits lehnt jede Verantwortung bei unsachgemässer Benutzung des Produktes ab.

Hecho en Italia. Colección de modelos a escala 1/43. Prohibida la venta a menores de 14 años. No comestible. Mantener fuera del alcance a de los niños. Tameo Kits no se hace responsable de los daños causados por el uso incorrecto de este producto.

1

1-Base Coat White Tamiya TS26
 *2-Bright Mica Red Tamiya TS85
 3-Pearl Clear Tamiya TS65

Glue and stick before painting
 Incollare e stuccare prima della verniciatura
 Vor der Lackierung verkleben und verspachteln
 Collier et mastiquer avant de vernir
 Pegar y estucar antes de pintar

PARTS N.4
 NYLON WIRE DIAM. 0.27 mm
 LENGHT 2 mm

NO PAINT

Parts
 Pezzi
 Stuecke
 Piecie
 Piezas

Length
 Lunghezza
 Laenge
 Longueur
 Largo

Nylon wire
 Fio nylon
 Nyldraht
 Fil de nylon
 Alambre de nylon

Base Coat
 Strato Di Base
 Grundschrift
 Couche De Base
 Capa De Base

No paint
 Non colorare
 Keine Farbe
 Pas de peinture
 Sin pintura

Bright Mica Red
 Rosso mica metalizzato
 Helles Mica rot
 Rouge mica rot
 Rops w/mica
 TAMIYA TS85

MATT BLACK

SILVER

MATT BLACK

NO PAINT



2

MATT RED
 ROSSO OPACO
 MATTE ROT
 ROUGE OPACQUE
 ROUGE MATE
 TAMIYA XF7

8 MATT BLACK

9 MATT BLACK

10 SILVER

11 NO PAINT

12 MATT RED

13 MATT BLACK

14 MATT BLACK

15 MATT BLACK

16 MATT BLACK

17 MATT BLACK

18 MATT BLACK

19 MATT BLACK

33

55

69

81

88

MATT BLACK

NO PAINT

3

TO BEND
 PIEGARE
 BIEGEN
 PLIER
 DOBLAR

TO BEND

14-15

14 MATT BLACK

15 MATT BLACK

16 MATT BLACK

17 MATT BLACK

18 MATT BLACK

19 MATT BLACK

33

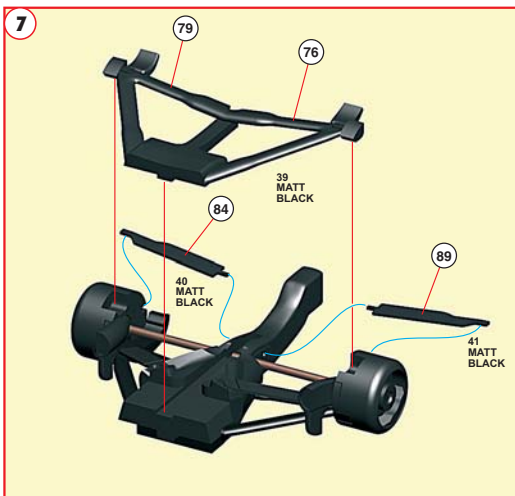
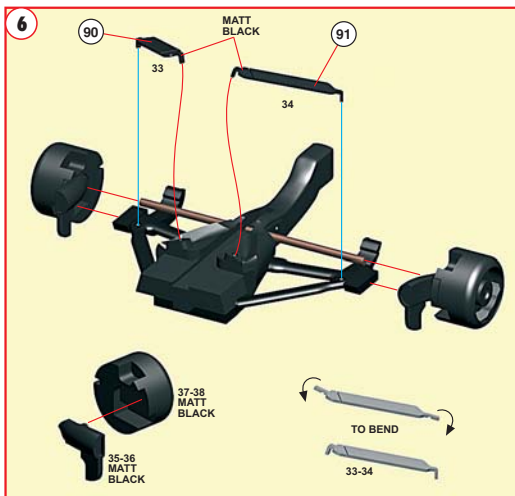
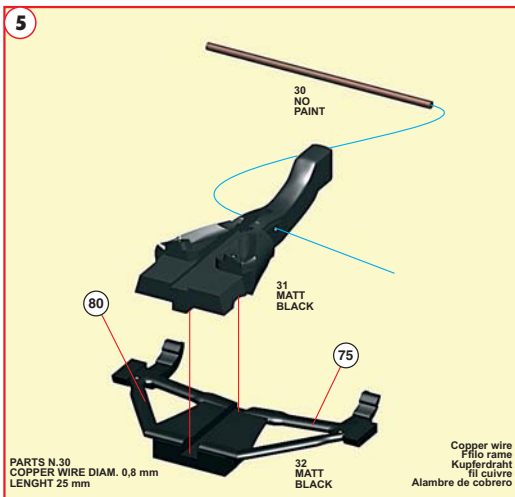
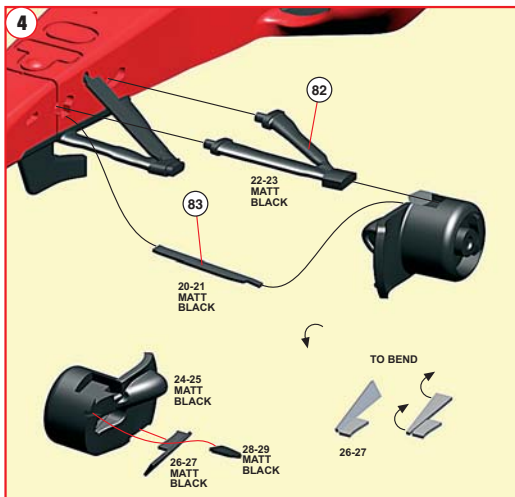
55

69

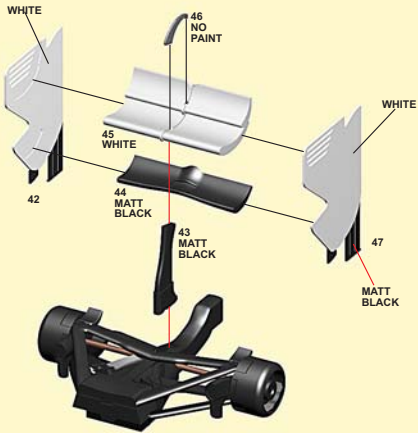
81

88

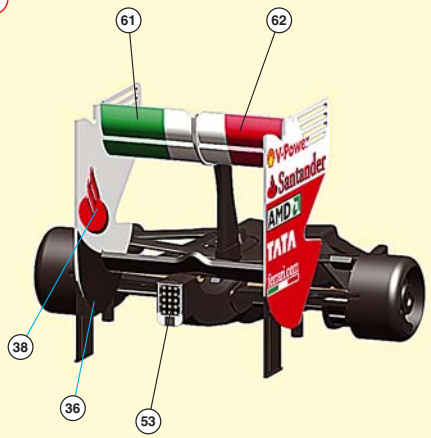
MATT BLACK



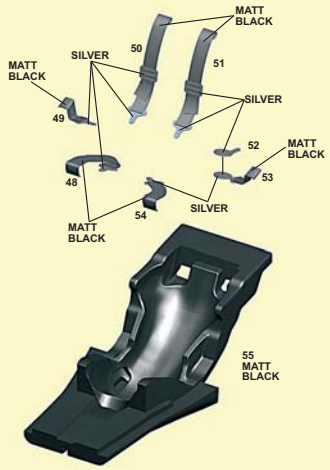
8



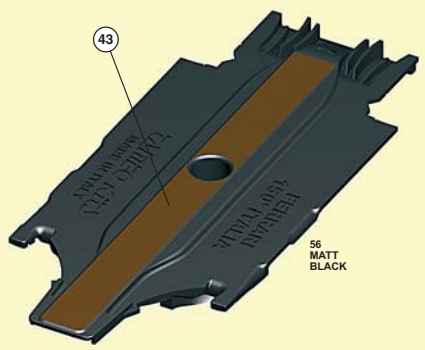
9



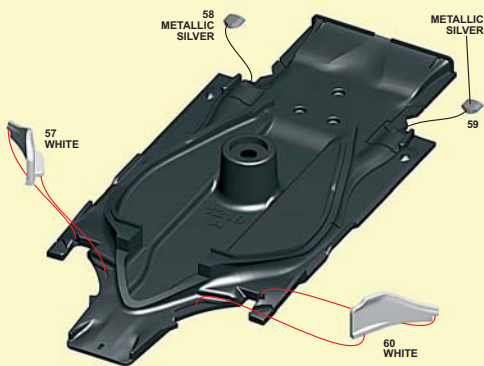
10



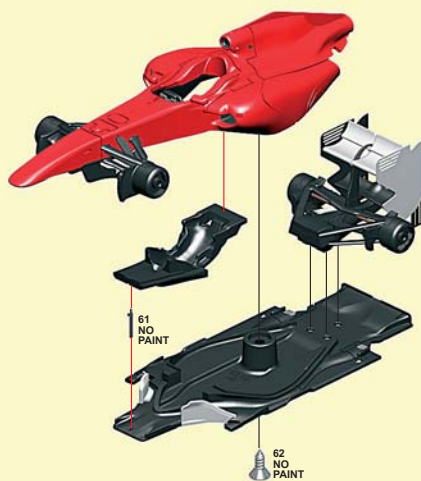
11



12



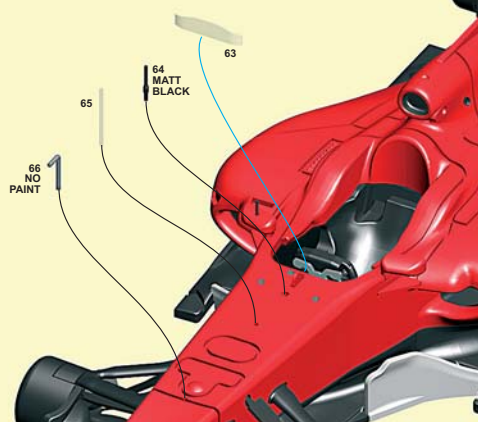
13



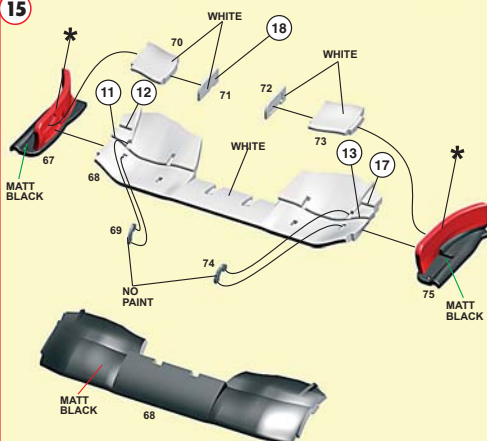
14

PARTS N. 65
NYLON WIRE
LENGHT 6 mm

Nylon wire
Filo nylon
Nylondraht
Fil de nylon
Alambre de nylon

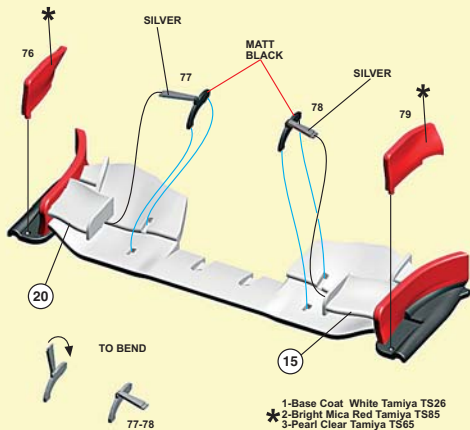


15



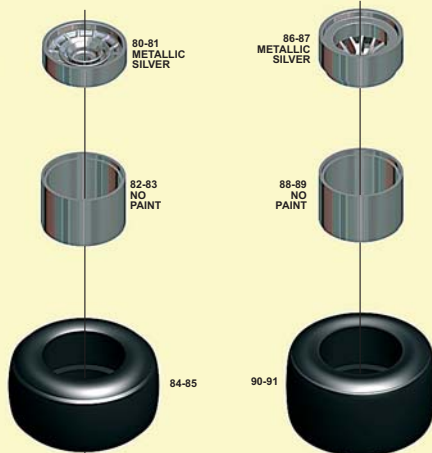
1-Base Coat White Tamiya TS26
* 2-Bright Mica Red Tamiya TS85
3-Pearl Clear Tamiya TS65

16

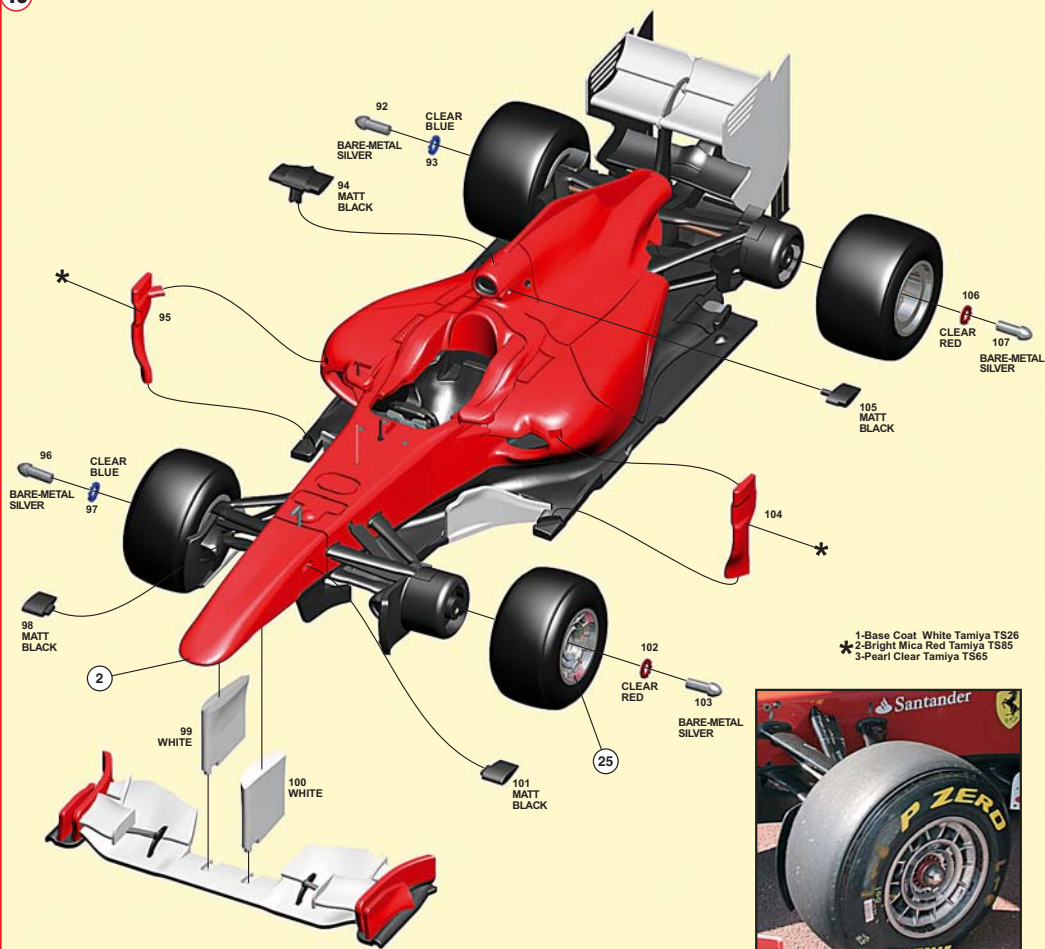


1-Base Coat White Tamiya TS26
*2-Bright Mica Red Tamiya TS85
3-Pearl Clear Tamiya TS65

17



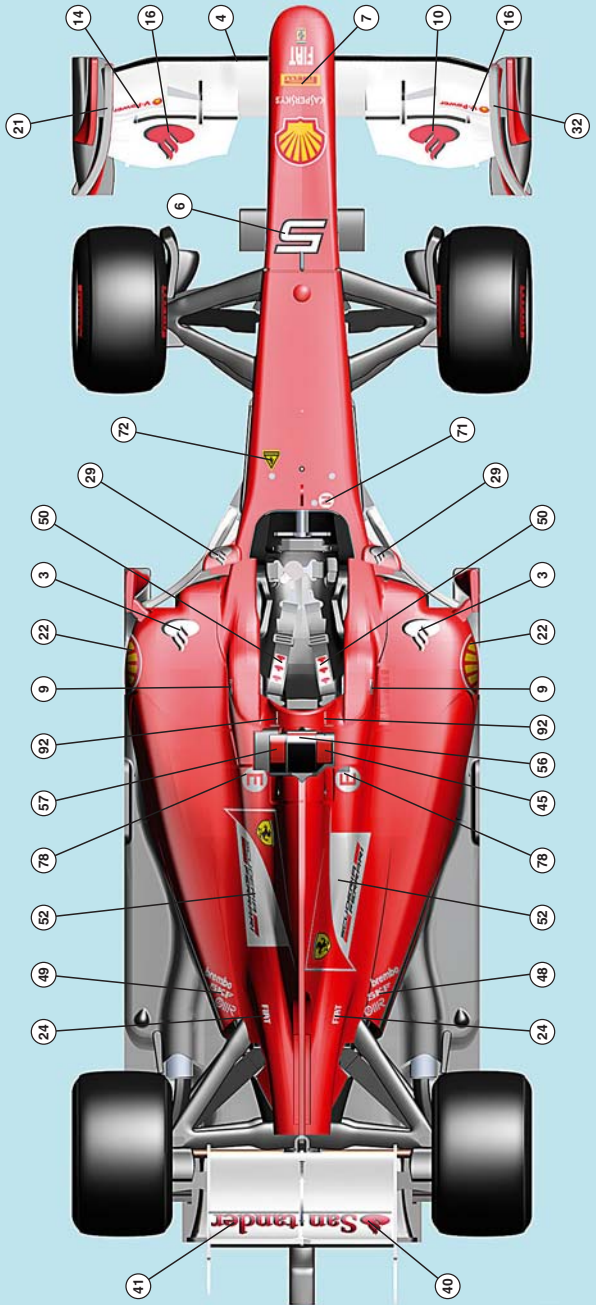
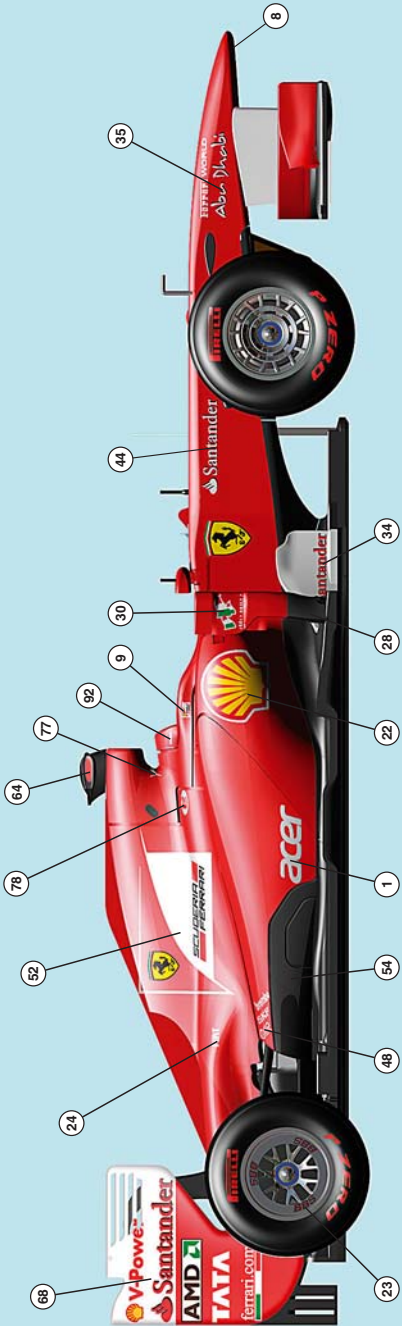
18



1-Base Coat White Tamiya TS26
*2-Bright Mica Red Tamiya TS85
3-Pearl Clear Tamiya TS65



TMK 396 FERRARI 150° ITALIA G.P. MONACO 2011



5 - F. Alonso 2nd



6 - F. Massa Ret.